

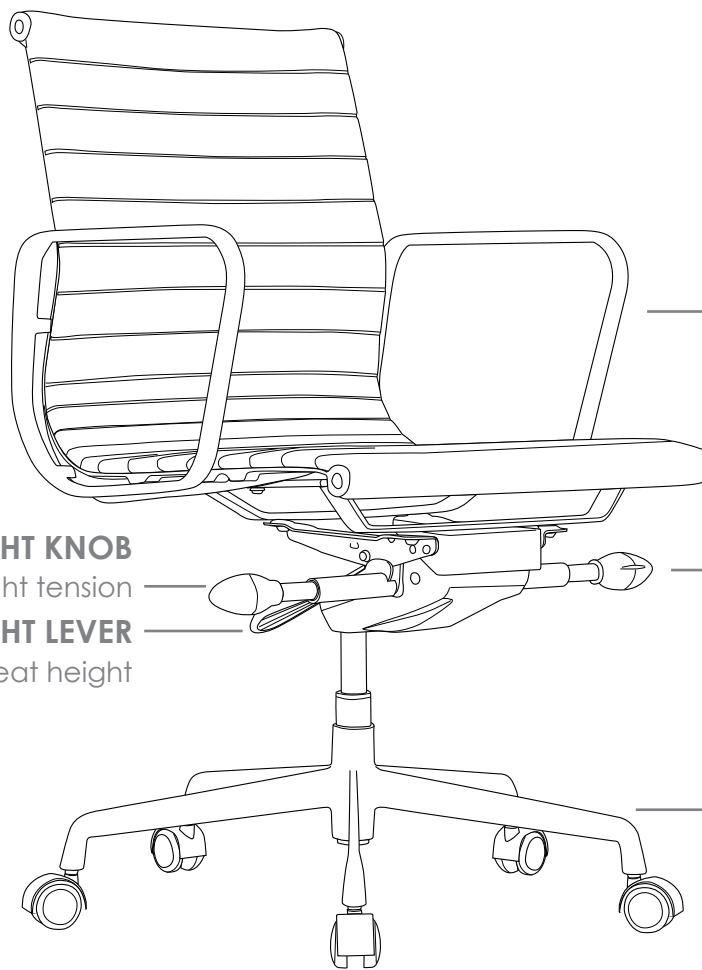
R2 BOARDROOM SEATING

VOLT



FEATURES

- » Adjustable seat height
- » Adjustable seat and back angle
- » Adjustable weight tension
- » Fixed arms
- » Knee tilt mechanism with 3 locking positions
- » 660mm heavy duty black aluminium base with castors
- » Black powder coated frame
- » Available in black mesh, terracotta PU, tan PU and black PU
- » Minor assembly required
- » Suitable for indoor use only
- » 5 year warranty
- » Weight limit is 130kg



INDOOR USE ONLY

X Do not use as a step ladder

FIXED ARMS

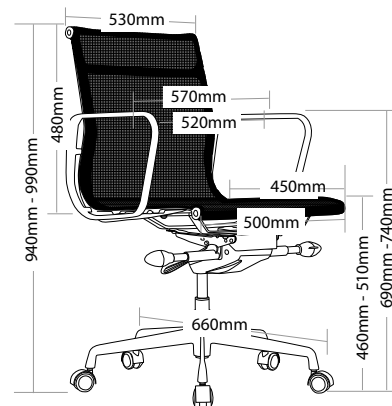
LEFT KNOB
To adjust seat and back angle

RIGHT KNOB
To adjust weight tension

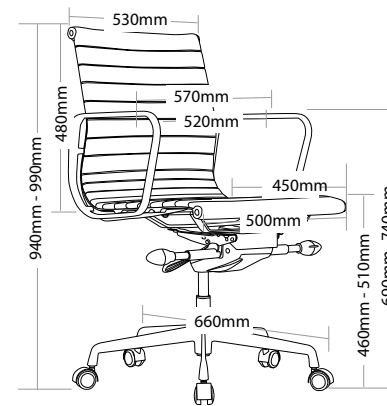
INNER RIGHT LEVER
To adjust seat height

660MM HEAVY DUTY BLACK ALUMINIUM 5 STAR BASE WITH CASTORS

Use soft tyred castors for tiles
Use hard tyred castors for carpet



VOLT-ME



VOLT

VOLT BOARDROOM SEATING



VOLT-ME



VOLT-TE



VOLT-TA



VOLT-BL